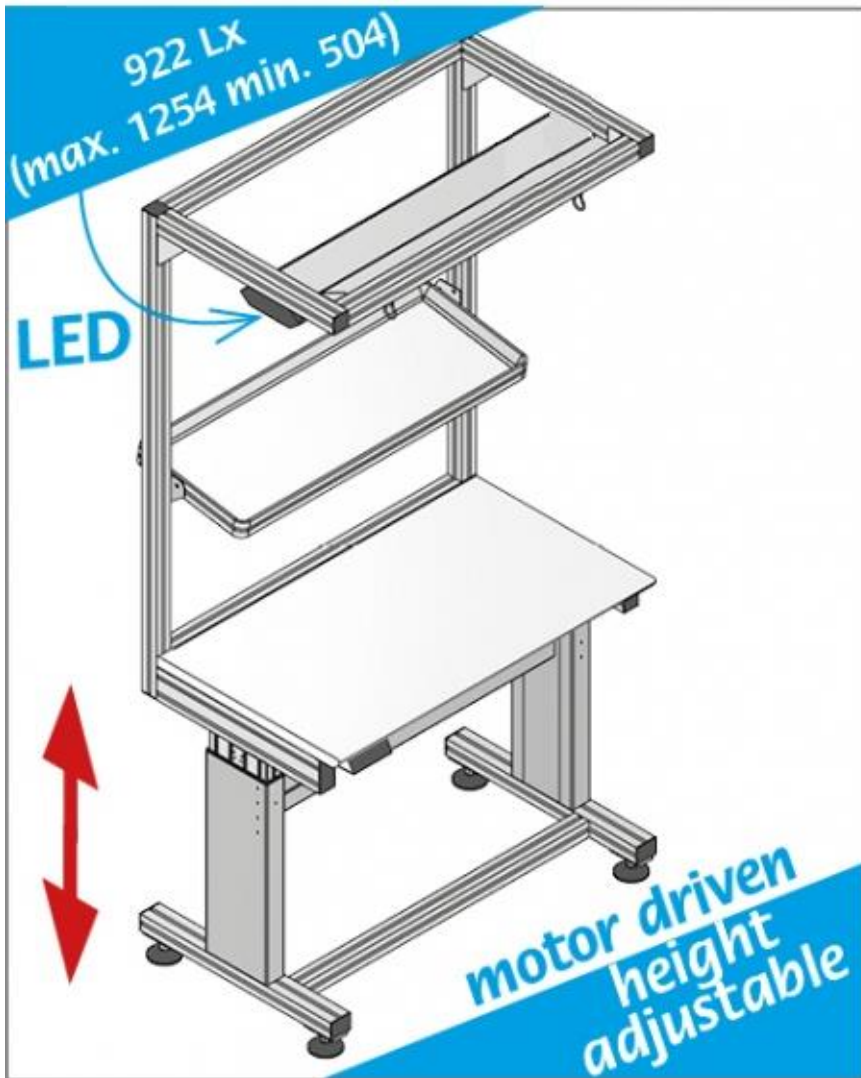


STANDARD bench, height-adjustable



Use: standard motorised workbench (rated power supply: UE: 230V / 50 Hz - US: 120V / 60 Hz, operating temperature: 0 - 30°C), for height adjustment of the workbench top. Ideal for work stations where the operator may work both seated and standing. Customizable with our full range of accessories, so that the materials and equipment required for assembly operations are always readily available for the operator.

